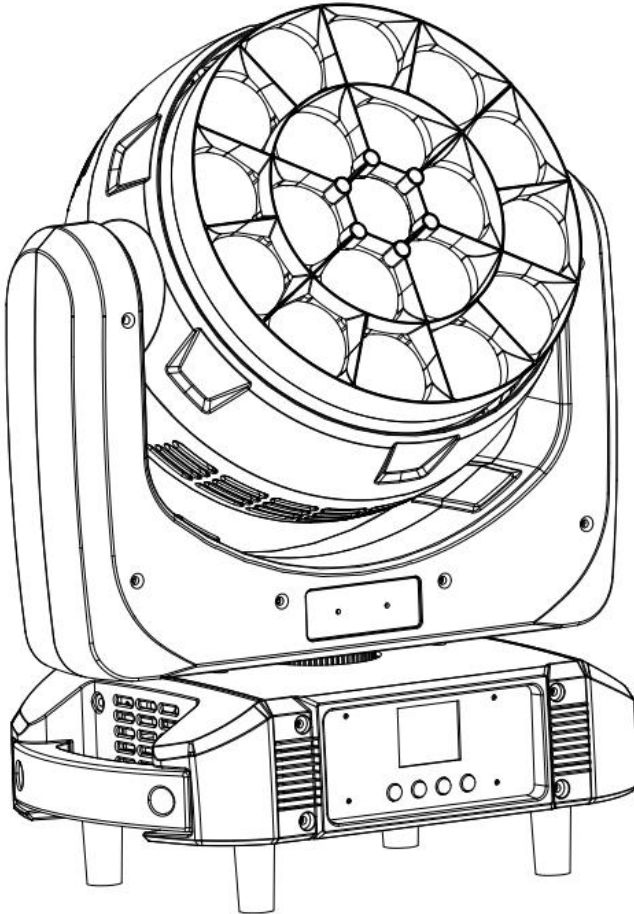


---

# Wash Zoom 19x20W Moving Head



User manual

---

# TABLE OF CONTENTS

1. Safety Instructions .....	3 - 4
2. Technical Specifications.....	4-5
3. How To Control The Unit.....	6-8
4. DMX Channel List.....	9- 14
5. Shape.....	15
6.Trouble shooting.....	15-16
7.Fixture Cleaning.....	16

## statement

The product has well capability and intact packing when leave factory. All of the user should comply with warning item and manual, any misuse cause of the damages are not included in our guarantee, and also can't be responsible for any malfunction & problem owing to ignore the manual.

# 1. Safety Instructions

Please keep this User Guide for future consultation. If you sell the unit to another user, be sure that they also receive this instruction booklet.

- Unpack and check carefully there is no transportation damage before using the unit.
- Before operating, ensure that the voltage and frequency of power supply match the power requirements of the unit.
- It's important to ground the yellow/green conductor to earth in order to avoid electric shock.
- The unit is for indoor use only. Use only in a dry location.
- The unit must be installed in a location with adequate ventilation, at least 50 cm from adjacent surfaces. Be sure that no ventilation slots are blocked.
- Disconnect main power before replacement or servicing.
- Make sure there are no flammable materials close to the unit while operating as it is fire hazard.
- Use safety cable when fixes this unit. Do not handle the unit by taking its head only, but always by taking its base.
- Maximum ambient temperature is  $T_a: 40^{\circ}\text{C}$ . Do not operate it where the temperature is higher than this Unit surface temperature may reach up to  $85^{\circ}\text{C}$ . Do not touch the housing bare-hand during its operation. Turn off the power and allow about 15 minutes for the unit to cool down before replacing or serving.
- the event of serious operating problem, stop using the unit immediately. Never try to repair the unit by yourself. Repairs carried out by unskilled people can lead to damage or malfunction. Please contact the nearest authorized technical assistance center. Always use the same type spare parts.
- Do not touch any wire during operation as high voltage might be causing electric shock.

## **Warning:**

- To prevent or reduce the risk of electrical shock or fire, do not expose the unit to rain or moisture.
- Do not open the unit within five minutes after switching off.
- The housing, the lenses, or the ultraviolet filter must be replaced if they are visibly damaged.

## **Caution:**

There are no user serviceable parts inside the unit. Do not open the housing or attempt any repairs yourself. In the unlikely event your unit may require service, please contact your nearest dealer.

## **Installation:**

The unit should be mounted via its screw holes on the bracket. Always ensure that the unit is firmly fixed to avoid vibration and slipping while operating. And make sure that the structure to which you are attaching the unit is secure and is able to support a weight of 10 times of the unit's weight. Also always use a safety cable that can hold 12 times of the weight of the unit when installing the fixture.

The equipment must be fixed by professionals. And it must be fixed at a place where is out of the touch of people.

## **2. Technical Specifications**

Light Sources: 19\*20W 4IN1 RGBW LED

Average life span > 50000 hours

Beam Angle: 5.8° - 55°

Glass light guide + PMMA high quality optical lens

Power Consumption: 350w

Power factor PF≥0.95

Working temperature: -10°C~45°C

Power Voltage: AC 100-240V, 50/60Hz

Dimension: 338\*254\*37.5mm

Net Weight: 8.5 kg

Carton Package 1in1 Size: 42x34x46cm, gross weight: 10 kg

Carton Package 2in1 Size: 69x44x48cm, gross weight: 23 kg

Flight Case Package 4in1 Size: 83x61x51cm, gross weight: 66.5 kg

## **Control**

DMX Channel:19/27 Channels

Control Modes: DMX512/Master-Slave/Auto Run/Music/RDM

## **Pan/Tilt**

Pan: 540°/ 360°, Tilt: 270°

Pan/Tilt Resolution: 8/16 bit

## **Construction**

Display:180° reversible 1.8 inch TFT colorful Display

Data In/Out socket: 3-pin & 5-pin XLR sockets

Power Socket: Power Con in/out

Protection Rating: IP20

## **Features**

Circle control effects, 3 circle control.

High-efficiency optical system, wonderful flower effect plus zoom

Fan work speed auto adjustable with head temperature

## 3. How To Control The Unit



Menu

Up

Down

Enter

### Display:

MENU	To select the programming functions
DOWN	To go backward in the selected functions
UP	To go forward in the selected functions
ENTER	To confirm the selected functions

### Set DMX Address Code

- 1 Press **"Menu"** to "Set DMX Address", and press **"ENTER"** keys to enter into
- 2 Show "Set DMX Address DMX Address:001", Press the **"UP and DOWN"** keys to amended
- 3 Press **"ENTER"** keys to save and Exit, Press the **"MENU"** Keys does not save and Exit

Menu	1.Pan Degree	1) 540 ° , 2)360°	X-axis running angle selection
	2.Mic Sense	001 - 100	Sound sensitivity adjustment
	3.Language	English	Chinese
	4.No Signal	1.Black Out 2.Hold	Set the state when the machine has no signal input
	5.Fan Set	1.Auto 2. Low 3.High	Set fan speed
	6.Reset	Yes	No
	7.Default	Yes	No
Menu	8.Adjust	Pass Word: ****	
		Pan	0 - 255
		Tilt	0 - 255
	8.Adjust	Focus	0 - 255
		Red	0 - 255
		Green	0 - 255
		Blue	0 - 255
		White	0 - 255
Address	Setting from 001 - 512		
Reverse	Forward or reversed setting	Pan	1.Yes
			2.No
		Tilt	1.Yes
			2.No
Display	1.Yes		
	2.No		
Information	1.CH Value		Each channel show CH value
	2.Temp ____°C		Show the temperature of led board

		3.Soft V.XXX	Show the version number
Channel		19 channels	
		27 channels	
Mode		DMX 512	
		AUTO	
		SOUND	
		Manual	
Manual	Master	Pan: 0--255	Manual Control
		Tilt:0--255	
		Focus:0--255	
		Rota:0-255	
	Alone	Red: 0--255	
		Greed: 0--255	
		Blue: 0--255	
		White: 0--255	
		Strobe: 0-255	

## 4.DMX Channel List

### Model 1 - CH19

Channel	Display	Function	Value
CH-1	Pan adjustment	Pan adjustment	0 --- 255
CH-2	Pan adjustment	Pan adjustment	0 --- 255



CH-3	Tilt adjustment	Tilt adjustment	0 --- 255
CH-4	Tilt adjustment	Tilt adjustment	0 --- 255
CH-5	Pan/Tilt speed	from fast to slow	0 --- 255
CH-6	Strobe	No	0 --- 15
		From slow to fast	16 --- 214
		Random strobe	215 --- 255
CH-7	Dimming	From dark to bright	0 --- 255
CH-8	Dimming Model	Model -1	0 --- 49
		Model -2	50 --- 99
		Model -3	100 --- 149
		Model -4	150 --- 255
CH-9	Zoom	from near to far	0 --- 255
CH-10	Red	From dark to bright	0 --- 255
CH-11	Green		0 --- 255
CH-12	Blue		0 --- 255
CH-13	White		0 --- 255
CH-14	Static color		No
		R 100%,G up,B 0%	16----35
		R down,G 100%,B 0%	36----55
		R 0%, G 100%, B up	56----75
		R 0%, G100%, B up	76----95
		R up, G0%, B100%	96----115
		R 100%, G0%, B down	116----135
		R 100%, G up, B up	136----155

CH-14	Static color		R down G down, B 100%	156----175
			R 100%, G 100%, B 100%, W 100%	176----195
			2800K	196----200
			3200K	201----205
			3500K	206----210
			4000K	211----215
			4500K	216----220
			5000K	221----225
			5500K	226----230
			6000K	231----235
			6500K	236----240
			7000K	241----245
			7500K	246----250
			8000K	251----255
CH-15	Effects		No	0 --- 9
			3 numbers 1 effect	10 --- 99
			Jump	100 --- 149
			gradual change	150 --- 255
CH-16	Zone		No	0 --- 19
			Zone -1	20 --- 39
			Zone -2	40 --- 59
			Zone -3	60 --- 79
			Zone -4	80 --- 99

CH-16	Zone		Zone -5	100 --- 119
			Zone -6	120 --- 139
			Zone -7	140 --- 159
		Automatically transform zone	Zone-8	160 --- 179
			Zone -9	180 --- 199
			Zone -10	200 --- 219
			Zone -11	220 --- 255
CH-17	Zone change speed	Zone 7 --- Zone 11	0 --- 255	
CH-18	Zone change fade	Zone 7 --- Zone 11	0 --- 255	
CH-19	Reset	No	0 --- 79	
		Reset	80 --- 99	
		No	100 --- 255	

## Model 2 - CH27

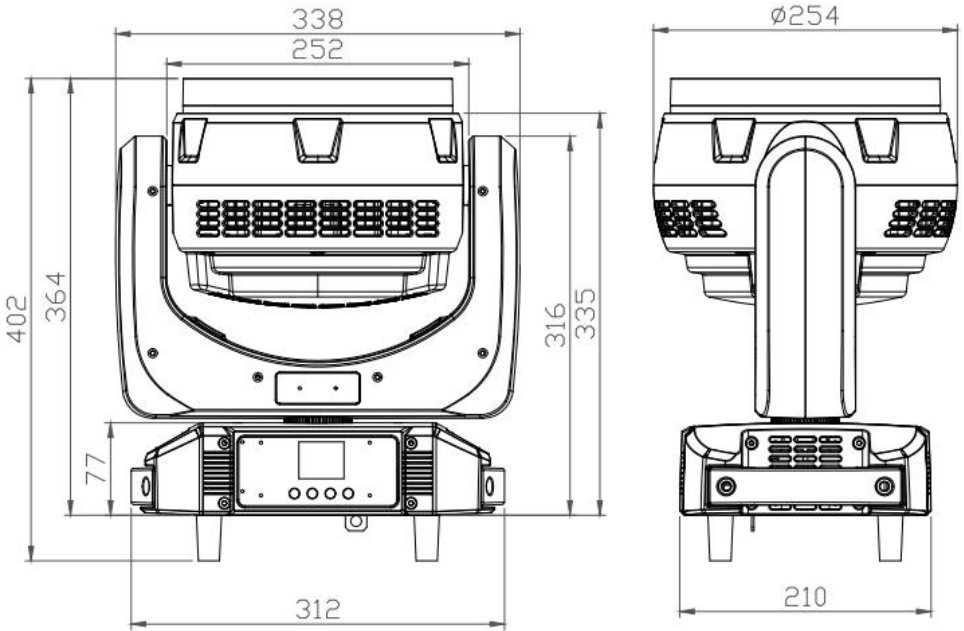
Channel	Display	Function	Value
CH-1	Pan adjustment	Pan adjustment	0 --- 255
CH-2	Pan adjustment	Pan adjustment	0 --- 255
CH-3	Tilt adjustment	Tilt adjustment	0 --- 255
CH-4	Tilt adjustment	Tilt adjustment	0 --- 255
CH-5	Pan/Tilt speed	from fast to slow	0 --- 255
CH-6	Strobe	No	0 --- 15
		From slow to fast	16 --- 214
		Random strobe	215 --- 255

CH-7	Dimming	From dark to bright	0 --- 255
CH-8	Dimming Model	Model -1	0 --- 49
		Model -2	50 --- 99
		Model -3	100 --- 149
		Model -4	150 --- 255
CH-9	Zoom	from near to far	0 --- 255
CH-10	Red-1	From dark to bright	0 --- 255
CH-11	Green-1		
CH-12	Blue-1		
CH-13	White-1		
CH-14	Red-2		
CH-15	Green-2		
CH-16	Blue-2		
CH-17	White-2		
CH-18	Red-3		
CH-19	Green-3		
CH-20	Blue-3		
CH-21	White-3		
CH-22	Static color	No	0----15
		R 100%, G up, B0%	16----35
		R down, G 100%, B0%	36----55
		R 0%, G 100%, B up	56----75
		R 0%,G down,B 100%	76----95
		R up, G0%, B100%	96----115

CH-22	Static color	R 100%, G0%, B down	116----135
		R 100%,G up, B up	136----155
		R down, G down, B 100%	156----175
		R 100%, G 100%, B 100%, W 100%	176----195
		2800K	196----200
		3200K	201----205
		3500K	206----210
		4000K	211----215
		4500K	216----220
		5000K	221----225
		5500K	226----230
		6000K	231----235
		6500K	236----240
		7000K	241----245
		7500K	246----250
8000K	251----255		
CH-23	Effects	No	0 --- 9
		3 numbers 1 effect	10 --- 99
		Jump	100 --- 149
		gradual change	150 --- 255
CH-24	Zone	No	0 --- 19
		Zone -1	20 --- 39
		Zone -2	40 --- 59

CH-24	Zone		Zone -3	60 --- 79
			Zone -4	80 --- 99
			Zone -5	100 --- 119
			Zone -6	120 --- 139
	Automatically transform zone	Zone -7	140 --- 159	
		Zone -8	160 --- 179	
		Zone -9	180 --- 199	
		Zone -10	200 --- 219	
		Zone -11	220 --- 255	
CH-25	Zone change speed	Zone 7 --- Zone 11	0 --- 255	
CH-26	Zone change fade	Zone 7 --- Zone 11	0 --- 255	
CH-27	Reset	No	0 --- 79	
		Reset	80 --- 99	
		No	100 --- 255	

## 5. Shape



## 6. Trouble shooting

Following are a few common problems that may occur during operation. Here are some suggestions for easy troubleshooting:

### A. The unit does not work, no light and the fan does not work

1. Check the connection of power and main fuse.
2. Measure the mains voltage on the main connector.
3. Check the power on LED.

### B. Not responding to DMX controller

1. DMX LED should be on. If not, check DMX connectors, cables to see if link

properly.

2. If the DMX LED is on and no response to the channel, check the address settings and DMX polarity.
3. If you have intermittent DMX signal problems, check the pins on connectors or on PCB of the unit or the previous one.
4. Try to use another DMX controller.
5. Check if the DMX cables run near or run alongside to high voltage cables that may cause damage or interference to DMX interface circuit.

### **C. One of the channels is not working well**

1. The stepper motor might be damaged or the cable connected to the PCB is broken.
2. The motor's drive IC on the PCB might be out of condition.

## **7. Fixture Cleaning**

The cleaning of internal and external optical lenses and/or mirrors must be carried out periodically to optimize light output. Cleaning frequency depends on the environment in which the fixture operates: damp, smoky or particularly dirty surrounding can cause greater accumulation of dirt on the unit's optics.

- **Clean with soft cloth using normal glass cleaning fluid.**
- **Always dry the parts carefully.**
- **Clean the external optics at least every 20 days. Clean the internal optics at least every 30/60 days.**